

Zentriereinheit, eckig  
(kompatibel zu E1304)

Centering Unit, Square  
(Compatible with E1304)

### S1204/ . . .

**Teil ①**

Mat.: 1.2162, **DLC-beschichtet**  
Härte: 70 HRC

**Part ①**

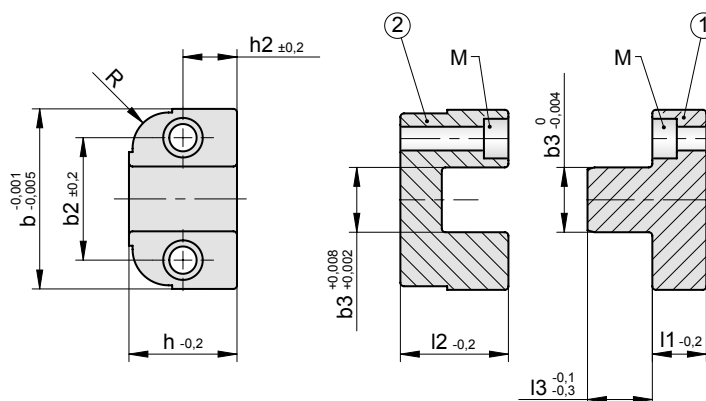
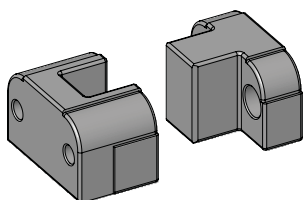
Mat.: 1.2162, **DLC-coated**  
Hardness: 70 HRC

**Teil ②**

Mat.: 1.2162  
Härte: 60 HRC, gehärtet und geschliffen

**Part ②**

Mat.: 1.2162  
Hardness: 60 HRC, hardened and ground



| b2 | b3 | h2 | l1 | l2 | l3 | M   | R  | b         | h         | Best. Nr. / Order No. |
|----|----|----|----|----|----|-----|----|-----------|-----------|-----------------------|
| 22 | 10 | 9  | 10 | 18 | 12 | M4  | 8  | <b>34</b> | <b>18</b> | <b>S1204/ 34x18</b>   |
| 26 | 12 | 11 | 12 | 22 | 14 | M5  | 10 | <b>40</b> | <b>22</b> | <b>S1204/ 40x22</b>   |
| 34 | 18 | 15 | 15 | 30 | 18 | M6  | 10 | <b>50</b> | <b>30</b> | <b>S1204/ 50x30</b>   |
| 42 | 22 | 20 | 18 | 40 | 24 | M8  | 10 | <b>64</b> | <b>40</b> | <b>S1204/ 64x40</b>   |
| 48 | 26 | 26 | 20 | 46 | 28 | M8  | 10 | <b>72</b> | <b>52</b> | <b>S1204/ 72x52</b>   |
| 66 | 36 | 28 | 22 | 57 | 36 | M10 | 10 | <b>96</b> | <b>56</b> | <b>S1204/ 96x56</b>   |

**Einbauhinweise:**

**Mounting instructions:**

