

Flachführung  
(kompatibel zu Z18/Z19)

Guide Block  
(Compatible with Z18/Z19)

## S1217/...

### Teil ①

Mat.: 1.2162, mit Schmiernuten  
Härte: 56 HRC, gehärtet und geschliffen

### Part ①

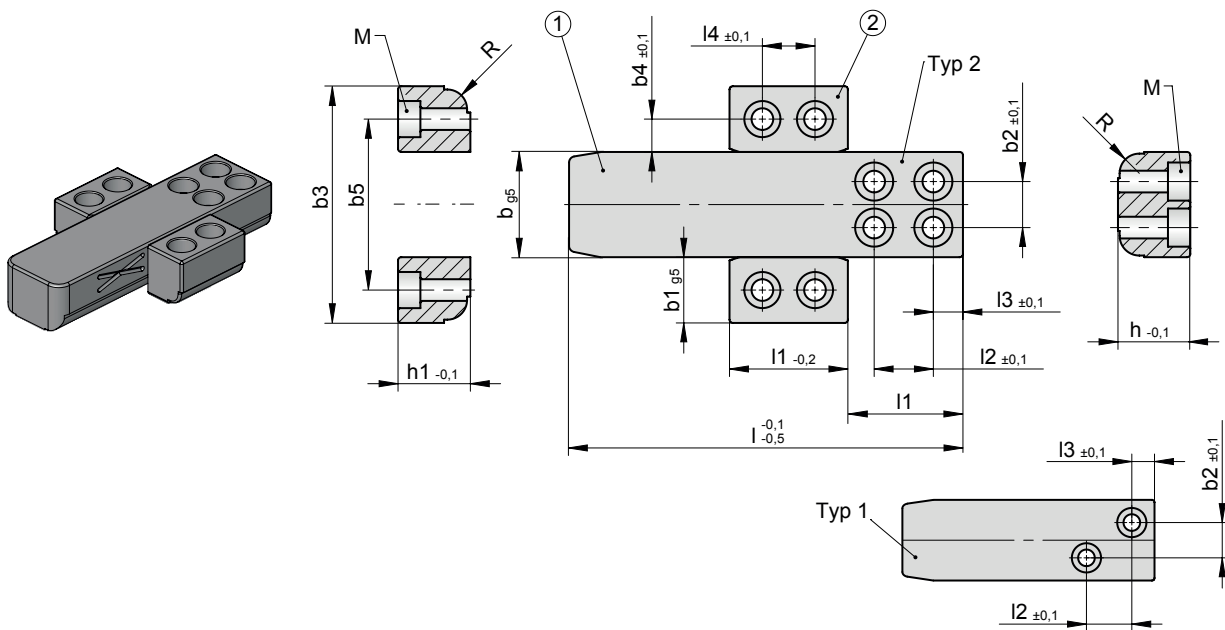
Mat.: 1.2162, with lubrication grooves  
Hardness: 56 HRC, hardened and ground

### Teil ②

Mat.: 1.2162  
Härte: 60 HRC, gehärtet und geschliffen

### Part ②

Mat.: 1.2162  
Hardness: 60 HRC, hardened and ground



Type	R	M	l3	l2	b2	b3	b4	b5	l4	b1	h1	l1	b	h	l	Best. Nr. / Order No.	
1	6	M5	8	9	7	56	8	36	12	18	18	27	20	18	50	S1217/ 20x18x 50	
																75	S1217/ 20x18x 75
																90	S1217/ 20x18x 90
2	6	M6	9	18	14	72	10	52	16	20	22	36	32	22	70	S1217/ 32x22x 70	
																90	S1217/ 32x22x 90
																112	S1217/ 32x22x112
																125	S1217/ 32x22x125
																150	S1217/ 32x22x150
2	8	M8	12	21	24	100	11	72	24	25	30	46	50	30	90	S1217/ 50x30x 90	
																125	S1217/ 50x30x125
																150	S1217/ 50x30x150
																175	S1217/ 50x30x175
																200	S1217/ 50x30x200
2	10	M10	15	26	30	127	16	95	30	32	32	56	63	32	112	S1217/ 63x32x112	
																150	S1217/ 63x32x150
																175	S1217/ 63x32x175
																200	S1217/ 63x32x200
																250	S1217/ 63x32x250
2	12	M10	15	26	44	150	16	112	30	35	35	56	80	35	112	S1217/ 80x35x112	
																150	S1217/ 80x35x150
																175	S1217/ 80x35x175
																200	S1217/ 80x35x200
																250	S1217/ 80x35x250
2	15	M12	18	32	55	180	17	134	40	40	50	76	100	50	175	S1217/ 100x50x175	
																200	S1217/ 100x50x200
																250	S1217/ 100x50x250
																300	S1217/ 120x65x300
2	15	M12	20	35	75	210	20	160	50	45	65	86	120	65	200	S1217/ 120x65x200	
																250	S1217/ 120x65x250
																300	S1217/ 120x65x300

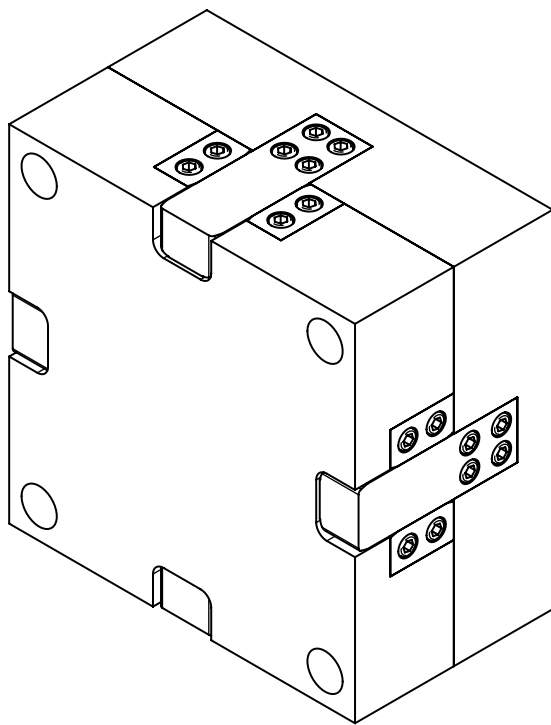
Flachführung  
(kompatibel zu Z18/Z19)

Guide Block  
(Compatible with Z18/Z19)

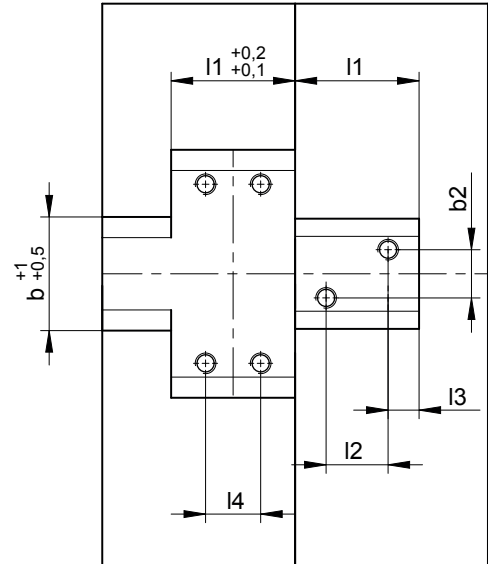
S1217/...

Einbauhinweise:

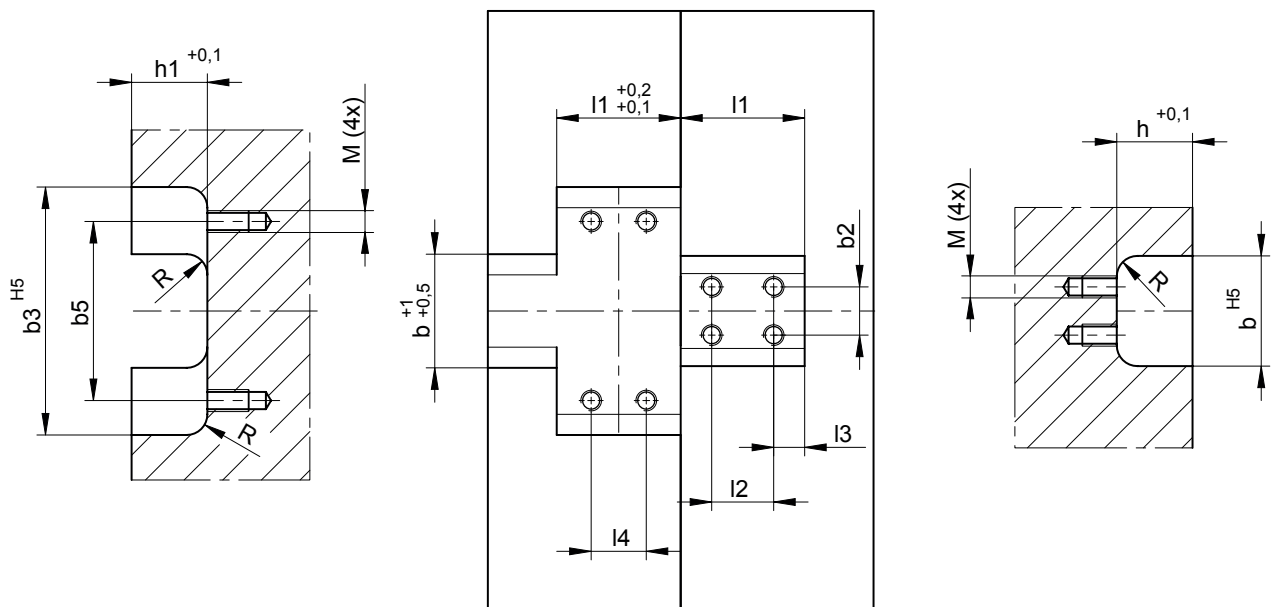
Mounting instructions:



Type 1



Type 2



Auf Wunsch auch ohne Schmiernuten.

On request delivered without lubrication grooves.