

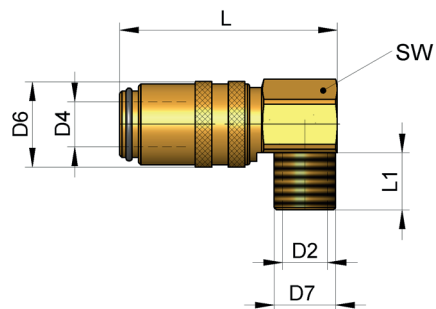
Schnellkupplung, EU-Standard, 90°,  
mit/ohne Ventil, mit Außengewinde

Quick-release Coupling, EU-Standard, 90°,  
with/without Valve, Externally Threaded

**S3325/ . . .**

Mat.: 2.0401 (Messing)

Mat.: 2.0401 (Brass)



L	L1	SW	D2	D6	D4	D7	Best. Nr. / Order No. ↺	Best. Nr. / Order No. ↔
47	12	17	6	18	9	G1/4	S3325/ 9x 1/4	S3325/ 9x 1/4 OV
47	12	17	6	18	9	M14x1,5	S3325/ 9xM14	S3325/ 9xM14 OV
53,5	12	22	9	23	13	M16x1,5	S3325/ 13xM16	S3325/ 13xM16 OV