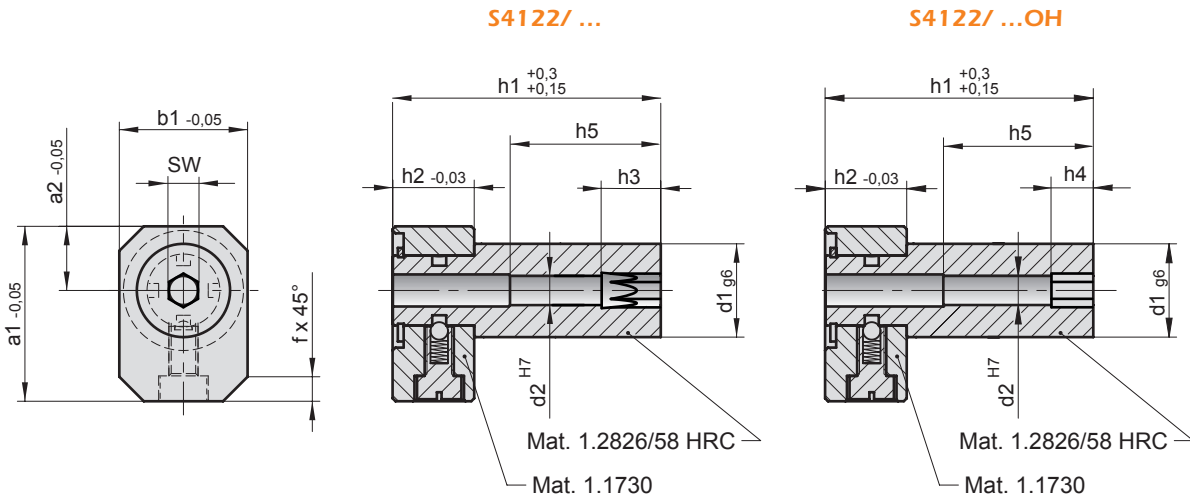


Angussweiche mit Bohrung

Runner Adjuster Unit with Hole

S4122/ . . .

S4122/ . . . OH (ohne Hinterschnitt/without undercut)



SW	f	a2	a1	b1	h2	h3	h4	h5	d1	h1	d2	Best. Nr. / Order No.
4	3,2	8,7	22,5	17	8,5	8	5	22	12	17	4	S4122/ 12x17x4
										22		S4122/ 12x22x4
										27		S4122/ 12x27x4
										36		S4122/ 12x36x4
										46		S4122/ 12x46x4
										56		S4122/ 12x56x4
										66		S4122/ 12x66x4
5	4,2	11	30	22	14	10	7	25	16	22	5	S4122/ 16x22x5
										27		S4122/ 16x27x5
										36		S4122/ 16x36x5
										46		S4122/ 16x46x5
										56		S4122/ 16x56x5
										66		S4122/ 16x66x5
										*		

SW	f	a2	a1	b1	h2	h3	h4	h5	d1	h1	d2	Best. Nr. / Order No.
4	3,2	8,7	22,5	17	8,5	8	5	22	12	17	4	S4122/ 12x17x4 OH
										22		S4122/ 12x22x4 OH
										27		S4122/ 12x27x4 OH
										36		S4122/ 12x36x4 OH
										46		S4122/ 12x46x4 OH
										56		S4122/ 12x56x4 OH
										66		S4122/ 12x66x4 OH
5	4,2	11	30	22	14	10	7	25	16	22	5	S4122/ 16x22x5 OH
										27		S4122/ 16x27x5 OH
										36		S4122/ 16x36x5 OH
										46		S4122/ 16x46x5 OH
										56		S4122/ 16x56x5 OH
										66		S4122/ 16x66x5 OH
										*		

* Mit Hinterschnitt Längen bis 116 mm auf Anfrage! / With undercut lengths up to 116 mm on request!