

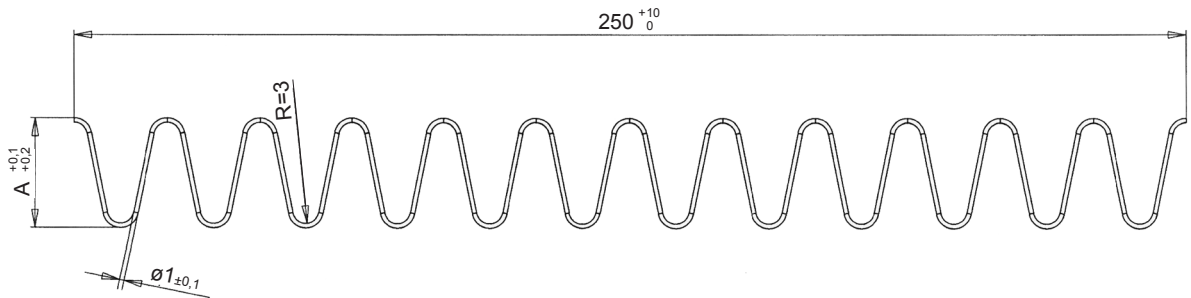
**Kabelabdeckung
für Heißkanalwerkzeuge**

**Wire Covering
for Hot Runner Molds**

S4403/ . . .

Mat.: Draht / 1.4310
T_{max.}: 300 °C

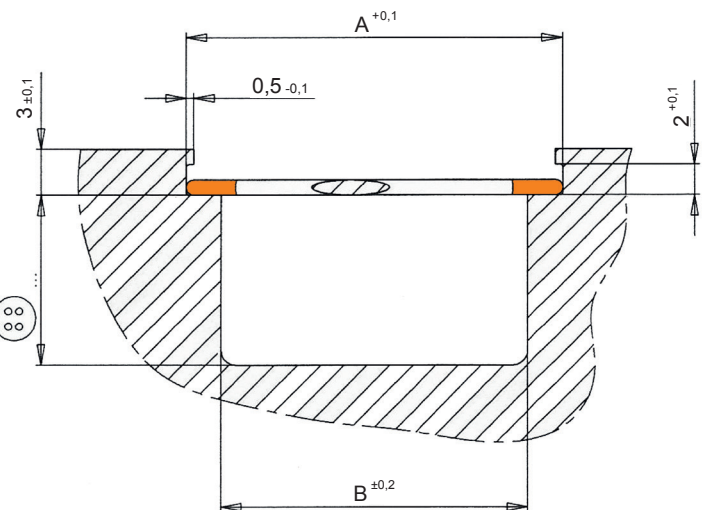
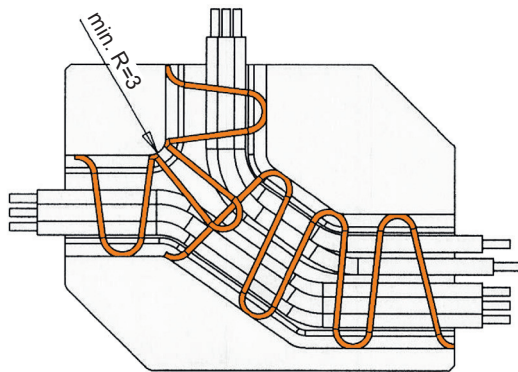
Mat.: Wire / 1.4310
T_{max.}: 300 °C



A	L		Best. Nr. / Order No.	Best. Nr. / Order No.
10,5	250	500	S4403/ 10,5x250	S4403/ 10,5x500
14,5	250	500	S4403/ 14,5x250	S4403/ 14,5x500
18,5	250	500	S4403/ 18,5x250	S4403/ 18,5x500
24,5	250	500	S4403/ 24,5x250	S4403/ 24,5x500
34,5	250	500	S4403/ 34,5x250	S4403/ 34,5x500
54,5	250	500	S4403/ 54,5x250	S4403/ 54,5x500

Einbauhinweise:

Mounting instructions:



B	A	L		Best. Nr. / Order No.	Best. Nr. / Order No.
5	10,5	250	500	S4403/ 10,5x250	S4403/ 10,5x500
10	14,5	250	500	S4403/ 14,5x250	S4403/ 14,5x500
15	18,5	250	500	S4403/ 18,5x250	S4403/ 18,5x500
20	24,5	250	500	S4403/ 24,5x250	S4403/ 24,5x500
30	34,5	250	500	S4403/ 34,5x250	S4403/ 34,5x500
50	54,5	250	500	S4403/ 54,5x250	S4403/ 54,5x500