

Auswerferkupplung

Ejector Coupling Device

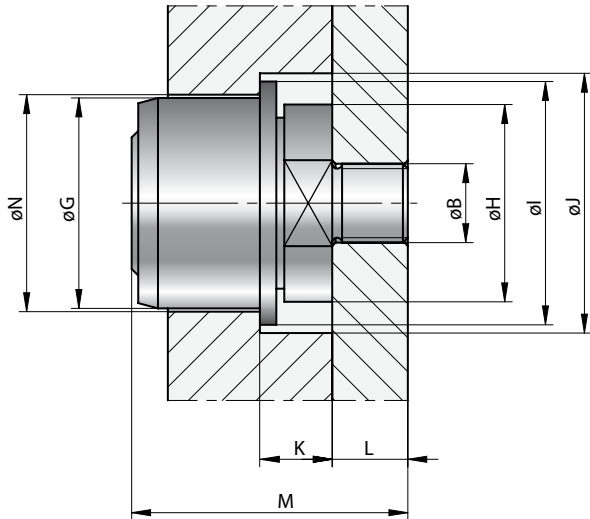
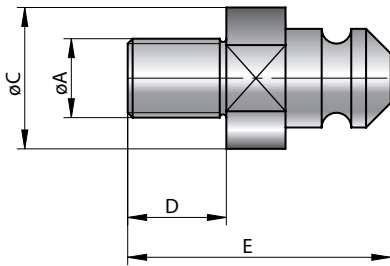
S6101/ . . .

Auswerferkupplung

Ejector Coupling Device

S6102 ...

S6101 ...



N	G	I	J	K	L	M	für / for	F _{max.} [kN]	H	B	Best. Nr. / Order No.
34	32	39	43	9	15	42,5	S6102/ 22,8	14,7	32	M16x1,5	S6101/ 32xM16x1,5
40	38	48	53	13	15	52	S6102/ 25,8	23,5	38	M16x1,5	S6101/ 38xM16x1,5
58	56	65	70	17	18	68	S6102/ 35	31,4	52	M16x1,5	S6101/ 52xM16x1,5
										M18x1,5	S6101/ 52xM18x1,5
										M20x1,5	S6101/ 52xM20x1,5
										M24x1,5	S6101/ 52xM24x1,5
										M27x1,5	S6101/ 52xM27x1,5
										M30x1,5	S6101/ 52xM30x1,5
66	64	74	79	22	23	84	S6102/ 43	156,9	60	M24x1,5	S6101/ 60xM24x1,5
										M27x1,5	S6101/ 60xM27x1,5
										M30x1,5	S6101/ 60xM30x1,5
										M36x2	S6101/ 60xM36x2

S6102/ . . .

Kupplungszapfen

Ejector Pivot

D	E	für / for	F _{max.} [kN]	C	A	Best. Nr. / Order No.
20	45,5	S6101/ 32	14,7	22,8	M10	S6102/ 22,8xM10
					M12	S6102/ 22,8xM12
					M14	S6102/ 22,8xM14
20	55	S6101/ 38	23,5	25,8	M10	S6102/ 25,8xM10
					M12	S6102/ 25,8xM12
					M14	S6102/ 25,8xM14
25	68	S6101/ 52	31,4	35	M16	S6102/ 35xM16
					M18	S6102/ 35xM18
					M20	S6102/ 35xM20
					M24	S6102/ 35xM24
					M27	S6102/ 35xM27
					M30	S6102/ 35xM30
30	80	S6101/ 60	156,9	43	M24	S6102/ 43xM24
					M27	S6102/ 43xM27
					M30	S6102/ 43xM30
					M36	S6102/ 43xM36

F_{max.} = maximale Haltekraft

F_{max.} = max. holding power