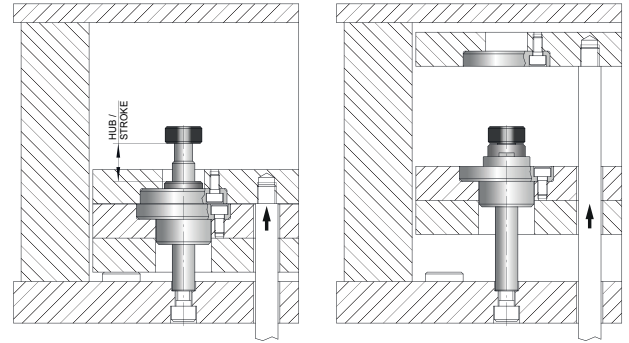
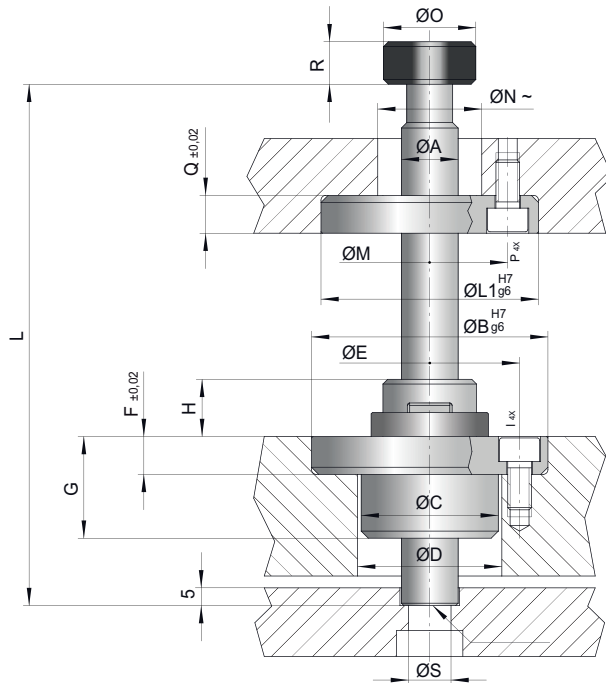


Zweistufenauswerfer-Vorrichtung

ERMANNNO BALZI

Two Stage Ejector Device

S6255/ . . .



B	C	D	E	F	G	H	I	A	L	Best. Nr. / Order No.
50	29	29,5	38	8	21,5	12	M5	12	100	S6255/ 12x100
50	29	29,5	38	8	21,5	12	M5	12	200	S6255/ 12x200
70	41	41,5	52	13	28	17	M8	16	100	S6255/ 16x100
70	41	41,5	52	13	28	17	M8	16	200	S6255/ 16x200

L1	M	N	O	P	Q	R	S	K	Best. Nr. / Order No.
46	33	22	19,5	M5	8	9	M8	100	S6255/ 12x100
46	33	22	19,5	M5	8	9	M8	100	S6255/ 12x200
70	52	33	29	M8	13	12	M10	300	S6255/ 16x100
70	52	33	29	M8	13	12	M10	300	S6255/ 16x200

K = max. Zugkraft [kg]

K = max. pulling force [kg]

Funktionsbeispiele:

Application examples:

