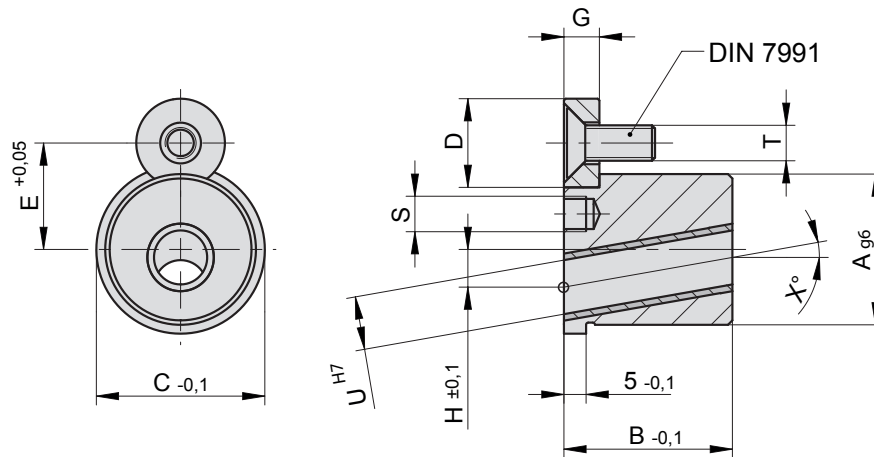


Führungsbuchse
für Schrägäuswerfer S6378/...

Guide Bush
for Slanted Ejector S6378/...

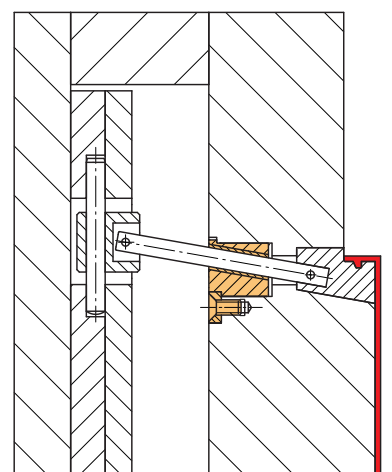
S6379/...



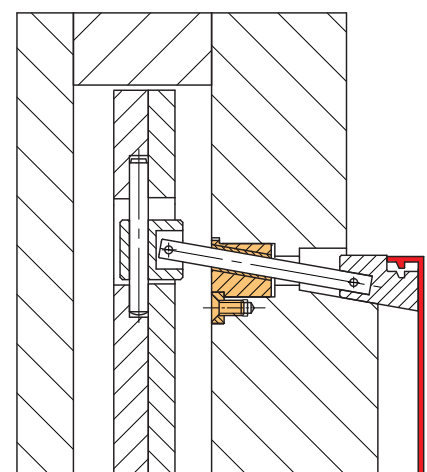
C	D	E	G	H	S	T	U	A	B	X	Best. Nr. / Order No.
34	16	20	6	0	M6x6	M6x16	10	30	34	5	S6379/ 30x34x 5
38	20	24	8	0	M8x6	M8x20	12	34	38	5	S6379/ 34x38x 5
44	20	27	8	0	M8x6	M8x20	16	40	40	5	S6379/ 40x40x 5
34	16	20	6	7	M6x6	M6x16	10	30	34	10	S6379/ 30x34x10
38	20	24	8	8,5	M8x6	M8x20	12	34	38	10	S6379/ 34x38x10
44	20	27	8	8,5	M8x6	M8x20	16	40	40	10	S6379/ 40x40x10
34	16	20	6	7	M6x6	M6x16	10	30	34	15	S6379/ 30x34x15
38	20	24	8	8,5	M8x6	M8x20	12	34	38	15	S6379/ 34x38x15
44	20	27	8	8,5	M8x6	M8x20	16	40	40	15	S6379/ 40x40x15
34	16	20	6	7	M6x6	M6x16	10	30	34	20	S6379/ 30x34x20
38	20	24	8	8,5	M8x6	M8x20	12	34	38	20	S6379/ 34x38x20
44	20	27	8	8,5	M8x6	M8x20	16	40	40	20	S6379/ 40x40x20

Anwendungsbeispiel:

Application example:



Werkzeug geschlossen /
Mold closed



Werkzeug geöffnet /
Mold open

Hinweis: Andere Durchmesser und Schrägen auf Kundenwunsch.

Please note: Other diameters and angles will be delivered according to customer specification.